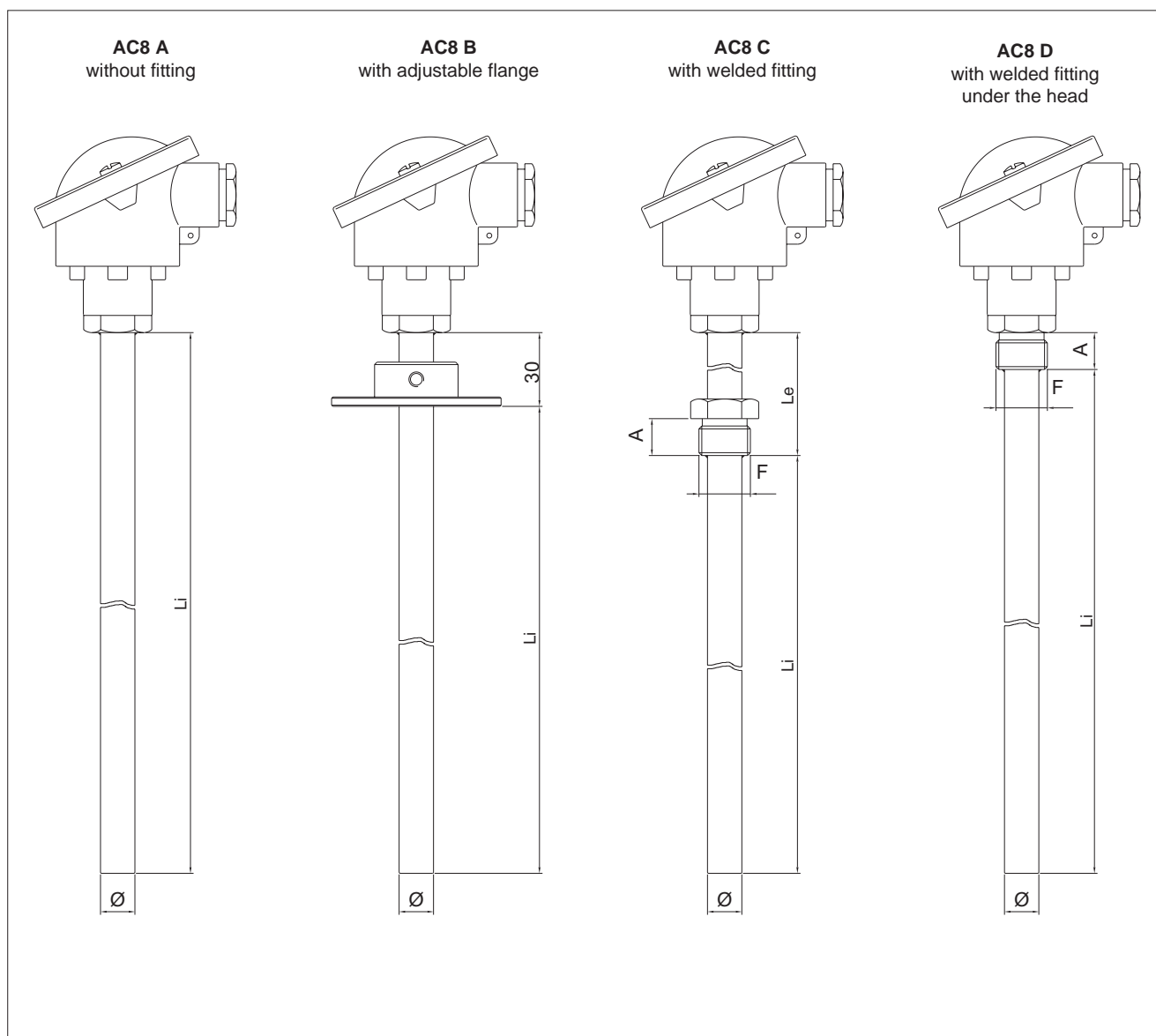




Main features

- Amplified output signal
- Temperature limits:
 - 40 ... + 750° C for type J
 - 40 ... + 900° C or type E
 - 40 ... + 1000° C or type K
 (see table for sheath diameters)
- Tolerance (IEC standard 584.2/Class 2):
 - $\pm 2.5^{\circ} \text{C}$ (- 40 ... + 333° C)
 - $\pm 0.0075 [t]$ (t > + 333° C)
- Ceramic insulation of the thermocouple element
- Application versatility

MODELS



ORDER CODE

A C 8 | | | | | | | | 0 | 0 0 0 X | | | | X | | | | | A |

CODE

Model	
Without fitting	A
With adjustable flange	B
With welded fitting	C
With welded fitting under the head	D

Element + Hot Junction	
Single Insulated	1
Single Grounded	2

Thermocouple Type	
Fe - Cu/Ni	J
Ni/Cr - Ni/Al	K
Ni/Cr - Cu/Ni	E

Connection Head	
DIN B	C
DIN A	D
DIN BUS	E
EEX d IIC 2GD	F
CEAA	H

Sheath Material	
AISI 304	A
AISI 310	B
AISI 316	C
INCONEL 600	F

Sheath Diameter (mm)	
16	O
17.2 (3/8")	P
21.3 (1/2")	Q
26.7 (3/4")	T

Connection Thread (*)	
1/2" GAS "A"= 15mm	D
3/4" GAS "A"= 18mm	E
1" GAS "A"= 18mm	F
1/2" NPT	J
3/4" NPT	K
1" NPT	L

(*) Only for C and D models

Conn. / Flange Material	
300 series stainless steel	2 *
Aluminium	4 **
Carbon steel	5 **

(*) For fittings only
 (**) For flanges only

Sensors amplifiers are manufactured in compliance with:
 - EMC 2004/108/CE compatibility directive
 - RoHS 2002/95/CE directive

Certificates	
A	Conformity Report
R	Calibration Report
T	SIT Certificate

LENGTHS AND ACCESSORIES

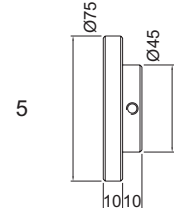
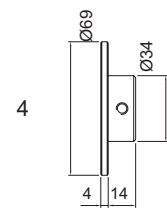
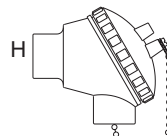
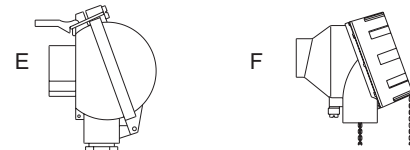
Type of Transmitter	
A	4 ÷ 20mA

Li = Immersion Length (mm)	
Standard length from 50 to 1000mm with 50mm step	

Le = Extension Length (mm) *	
Standard length from 10 to 200mm with 10mm step	

(*) To be shown for AC8C model only

Temperature range in which the calibration has to be made			
T. min	T. max		
<input type="text"/> °C	<input type="text"/> °C		
<input type="text"/> 4mA	<input type="text"/> 20mA		



	Mod. C - D
MOUNT (F)	A (mm)
G 1/2	15
G 3/4	18
G 1	20
1/2 NPT	20
3/4 NPT	20
1 NPT	25

Availability of Mounts /Sheathing Diameter				
MOUNT. (F)	ø16	ø17.2	ø21.3	ø26.7
G 1/2	x	-	-	-
G 3/4	x	x	x	-
G 1	x	x	x	x
1/2 NPT	x	-	-	-
3/4 NPT	x	x	x	x
1 NPT	x	x	x	x

Electrical installation requirements and Conformity certificate are available on our web site: www.gefran.com

GEFRAN spa reserves the right to make any kind of design or functional modification at any moment without prior notice

GEFRAN spa
 via Sebina, 74
 25050 PROVAGLIO D'ISEO (BS) - ITALIA
 ph. 0309888.1 - fax. 0309839063
 Internet: <http://www.gefran.com>

GEFRAN

DTS_AC8_0709_ENG