



Main features

Stand-alone unit for independent control of four electrical power control loops. Extremely compact, with independent controls and advanced diagnostics. Used to control power for single-phase and 3-phase loads, including high and low temperature coefficient resistive loads, short wave infrared lamps and transformer primaries.

Unit consisting of:

- Controller
- 30, 60, 80kW solid state relay
- Current transformers
- Fuses-holder (option)
- 4 universal main inputs
- 4 heat/cool independent PID
- 4 main output internally wired to the SSR
- 4 auxiliary analog inputs (option)
- 4 configurable output (option):
relay / logic / TRIAC / continuous
- 2 configurable relay alarm output
- 2 digital inputs
- Standard digital communication:
Modbus RTU
- Optional Fieldbus communication:
Profibus DP, CANopen, Euromap66,
DeviceNet, Modbus RTU, Modbus TCP,
Ethernet IP, EtherCAT, ProfiNET
- DIN rail or panel mounting

Main application

- Thermoforming
- Blowing
- Hot runners for injection presses
- Fiber weaving
- Heat treatment furnaces
- Wood-working machines
- Glass hardening furnaces

PROFILE

GFX4-IR is a four independent loop controller, designed to manage electrical power.

GFX4 is a compact unit encompassing technological elements such as:

- controller
- solid state relay
- current transformers
- fuses-holders (option)

The final result is a cost saving in terms of space and cabling.

The GFX4-IR is managed by a microprocessor that independently controls the four control loops and also runs functions specifically designed to manage single-phase and 3-phase loads, with low and high temperature coefficient, medium and short wave infrared lamps, control single phase and 3-phase transformers (example, with loads such as Super Kanthal or silicon carbide).

The multiple activation methods are all software-configurable, and include:

- Zero crossing with constant cycle time for conventional loads
- Burst firing with variable cycle time for systems with low thermal inertia, medium wave IR lamps
- Semi-Cycle for short wave IR lamps with reduced flickering (half single cycle)

- Phase angle control with current limit for short wave IR lamps, transformer primaries, with assignment of soft start and soft stop options with limitation of max. rms current.

GFX4IR runs complete diagnostics of current, voltage, and temperature levels:

Current

- Total and partial interrupted load alarm
- Function for self-learning of alarm threshold for interrupted load
- SCR in short circuit alarm
- Unbalanced 3-phase line alarm
- Unbalanced 3-phase load alarm

Voltage

- Phase loss in case of 3-phase configurations
- Check of correct phase sequence alarm

Temperature

- Overtemperature alarm

For complete load control in all applications, various feedback functions have been developed:

- Voltage (V) feedback with maximum voltage limit
- Current (I) feedback with maximum current limit

- Power feedback with maximum power limit

Configuration is changed by setting simple parameters with a software tool that guides the user to a correct and safe configuration.

GFX4-IR communicates with the operator terminals according to the most popular protocols: from the simple and efficient Modbus to (via a second optional fieldbus communication) the by-now indispensable Profibus DP, CANopen, DeviceNet, Modbus RTU, Ethernet Modbus TCP, Ethernet IP, EtherCAT, ProfiNET.

The product comes with a standard configuration that is simple and quick to modify, for example, to assign different functions to outputs.

MODELS

(see table in order code)

3 different sizes, depending on the electric power managed, are available.

GFX4-IR 80

Maximum contemporaneous power up to 80kW@480V.

Each zone can manage up to 19,2 kW. This limit can be extended to 27,3 kW using the "smart power management" (not all the zone contemporaneous). Nominal current 40A for zone, not contemporary maximum 57A.

GFX4-IR 60

Maximum contemporaneous power up to 60kW@480V.

Each zone could reach up to 15,3 kW. Nominal current 32A for zone (UL30A). Fuse holder could be provide as an option.

GFX4-IR 30

Maximum contemporaneous power up to 30kW@480V.

Each zone could reach up to 7,6 kW. Nominal current 16A for zone. Fuse holder could be provide as an option.

INPUTS

Process analogue

4 universal process input can accept:

- thermocouple
- thermoresistance
- linear current & voltage.

Input type can be selected by software, no external devices are required.

Digital

2 digital input.

The function can be selected from a wide range, including setpoint selection, MAN/AUTO, alarm memory reset and many other.

Incorporated CT

Four CTs are integrated in the product to control currents delivered to each zone and to manage the related alarms (HB...).

Auxiliary analogue (option)

4 further analogue inputs are available, typically for external current transformer reading.

OUTPUTS

Output alarms configurable via software.

Heating control

For each zone, the heating control is internally linked to the power output, no other connections are necessary.

Cooling control (option)

For each zone, one of four types of cooling output is available:- relay, logic, triac or continuous.

A current transformer is furnished with TRIAC output.

Alarms

Two relay outputs are available, configurable as minimum or maximum alarms.

LEDs

Eight monitoring led are available in order to provide diagnostic information.

RN	RUN state of the CPU
ER	error
DI1	DI1 digital input state
DI2	DI2 digital input state
O1	Output 1 state
O2	Output 2 state
O3	Output 3 state
O4	Output 4 state

By default a different meaning is applicable.

POWER

The solid-state power unit (SSR) is integrated in the product. The SSR is built with 4 pairs of SCR in antiparallel.

Configurable start-up modes

ZC - Zero Crossing constant cycle time (settable in range 1-200sec)

BF - Burst Firing variable cycle time (GTT)

HSC- Half Single Cycle corresponds to Burst Firing that manages single semi-cycles of conduction or stop cycles.

Useful for reducing flicker with short wave IR loads (applied only to single-phase load or 3-phase open delta 6 leads)

PA - Phase Angle that manages the firing angle.

Load type:

- 4 single-phase
- 3 independent single-phase in open delta
- 1 3-phase open delta, 6 leads
- 1 3-phase delta, 3 leads
- 1 3-phase star without neutral, 3 leads
- 1 3-phase star with neutral, 4 leads

FUSES (OPTION)

The fuses are orderable on the GFX4-IR 30KW and 60kW model.

Thanks to this, you save time, wiring is simplified, and dimensions in the panel are reduced.

PROGRAMMING

The module is configured by setting simple parameters.

No knowledge of programming language is required.

The module can be configured in various ways:

- using GFX-OP
- using GF_eXpress tool software
- using Industrial PC or PLC.

FUNCTIONS

Control

The Geflex control algorithm works with any type of thermal process. Different control modes are available: from a simple ON/OFF control to PID single or double acting heat/cool (for cooling, simply indicate the fluid used). Sophisticated and efficient automatic tuning algorithms for control parameters provide precise process control without the presence of an operator.

Alarms

There are 8 alarm assignable to each single channel or to all (AND / OR logic) and configurable as absolute, relative, direct, reverse, window, latching or not, inhibit at power-on.

Diagnostics

Geflex assures efficient process monitoring from a thermal and electrical point of view, allowing the operator to foresee breakdowns or malfunctions and take timely action (for example, in case the temperature safety limit is exceeded, broken probe, load fault). The LBA alarm precisely checks the control loop.

Current read (RMS)

- HB alarm load interrupted or partially interrupted
- Calibration of HB alarm threshold via automatic procedure starting from load current level. Alarm threshold is determined from settable % (ex.: if measured current =10A and %=20, HB alarm threshold = 8A) The procedure includes:
 - start of requested power to maximum
 - sampling of load current
 - return to previous requested power level for 3-phase load, three separate alarm thresholds
- SCR in short circuit alarm
- Load in short circuit or overcurrent alarm
- Unbalanced 3-phase load

Voltage read (RMS)

- Incorrect phase rotation diagnosis in 3-phase configuration.
- Phase loss alarm in 3-phase load configuration
- Over temperature alarm

The software can be used to define the state of alarm outputs or a preset power level to be supplied in case of broken probe. This assures continuity of service in the individual zone.

Tuning

- Self-tuning: calculation of PID parameters at system start.
- Auto-tuning continuous:continuous adjustment of PID

- Autotuning one-shot: output modulation and event-driven automatic PID parameters re-calculation

Special functions

- Software Off: disabling of the control, outputs are turned off.
- Inputs\outputs: direct management of inputs/outputs, independently from internal firmware.
- Simulation of four independent Geflex units.
- Smart power management.
- Option:
 - Soft start at timed power-on with or without control of maximum current reactivation after a settable shut-off time.
 - Current limit
 - DT: Delay Triggering 0-90° on first cycle (for inductive loads in modality ZC or BF)
- Option for PA
 - Soft start at timed power-on with or without control of maximum current reactivation after a settable shut-off time.
 - Soft stop at times power-off

- Feedback modes:

V or V²

- Voltage feedback with maximum voltage limit: controls by maintaining constant voltage on the load (proportional to P%_pid) regardless of changes in line voltage

I or I²

- Current feedback with maximum current limit: controls by maintaining constant current on the load (proportional to P%_pid) regardless of changes in line voltage or load impedance

P

- Power feedback with maximum power limit: controls by maintaining constant power on the load (proportional to P%_pid) regardless of changes in line voltage or load impedance.

You have to set the autocalibration parameter each time you change feedback mode.

DIGITAL COMMUNICATION

The product is furnished with standard digital communication [PORT 1] used as GFX4 connection to a HMI or Industrial PC.

Also by a dedicated connector (10 pins) it's possible to connect the actual range of Geflex.

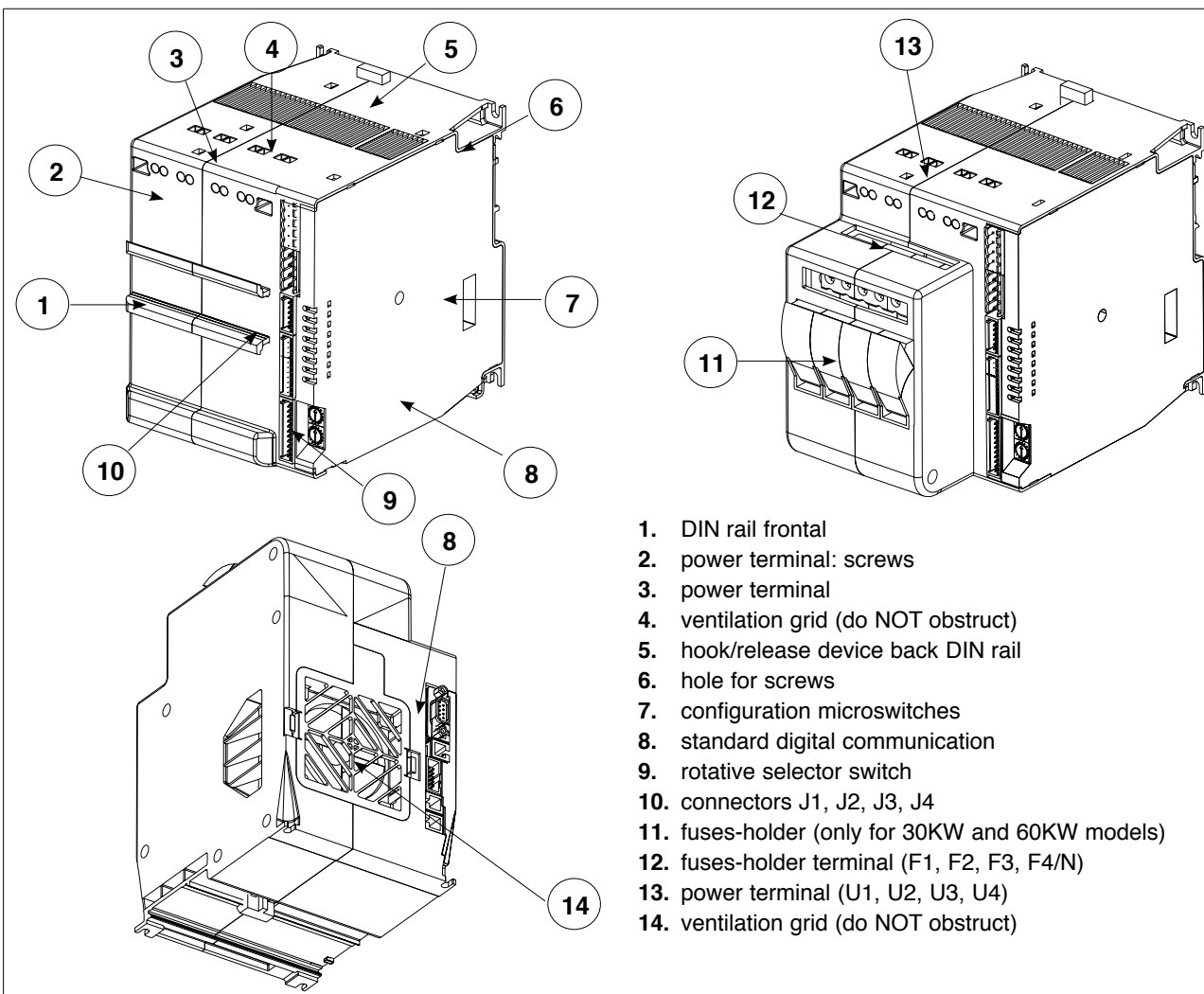
A second standard digital communication (PORT 2) configurable by most popular protocol:

CANopen, Euromap66, DeviceNet, Profibus DP, Modbus RTU Modbus TCP, Ethernet IP, EtherCAT, ProfiNET is available as option.

Net address

Assigned by two rotative selectors.

GENERAL DESCRIPTION



1. DIN rail frontal
2. power terminal: screws
3. power terminal
4. ventilation grid (do NOT obstruct)
5. hook/release device back DIN rail
6. hole for screws
7. configuration microswitches
8. standard digital communication
9. rotative selector switch
10. connectors J1, J2, J3, J4
11. fuses-holder (only for 30KW and 60KW models)
12. fuses-holder terminal (F1, F2, F3, F4/N)
13. power terminal (U1, U2, U3, U4)
14. ventilation grid (do NOT obstruct)

Trigger modes

The GFX4-IR provides the following power control modes:

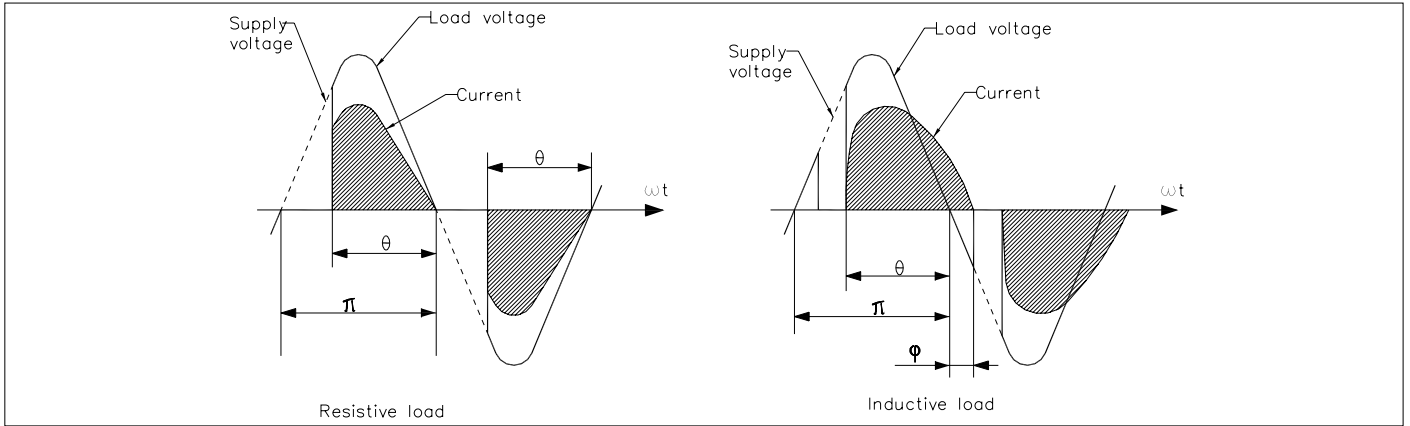
- modulation via variation of phase angle: PA modality
- modulation via variation of number of conduction cycles with “zero crossing” trigger”: ZC, BF, HSC modality.

PA - Phase angle

This mode manages power on the load by modulating load phase angle θ

ex: if power to be transferred to the load is 100%, $\theta = 180^\circ$

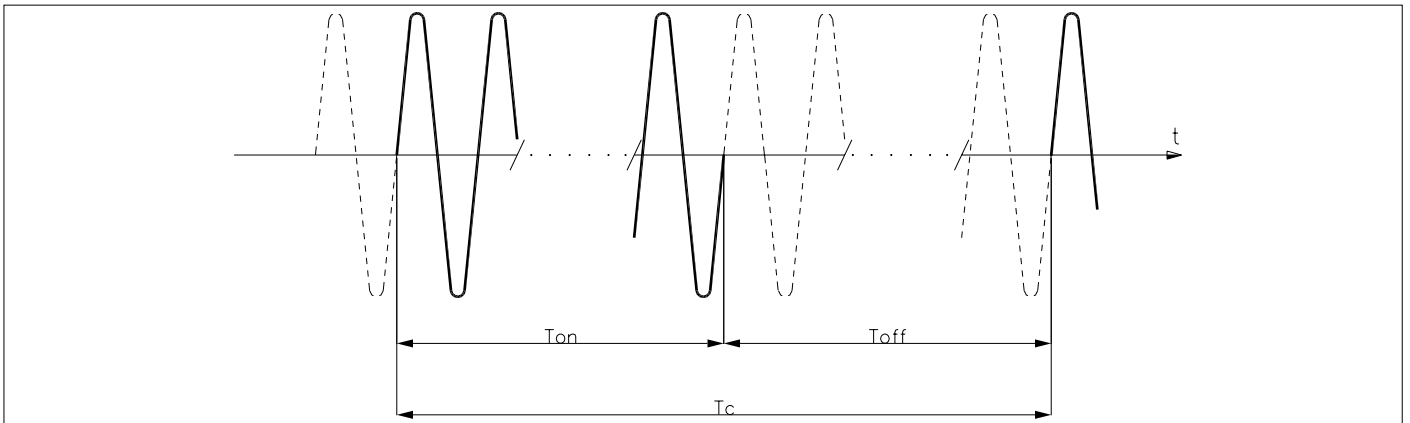
ex: if power to be transferred to the load is 50%, $\theta = 90^\circ$



Zero Crossing mode

This function eliminates EMC noise. This mode controls power on the load via a series of conduction ON and non conduction OFF cycles.

ZC - constant cycle time ($T_c \geq 1$ sec, settable from 1 to 200 sec) Cycle time is divided into a series of conduction and non conduction cycles in proportion to the power value to be transferred to the load.

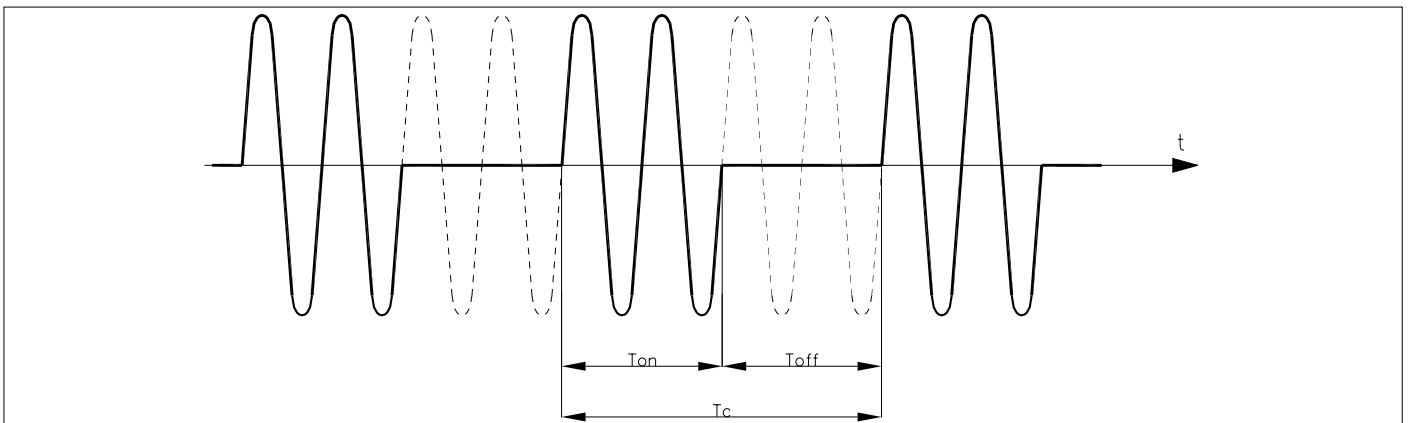


For example, if $T_c = 10$ sec, if the power value is 20% there is conduction for 2 sec (100 conduction cycles @ 50Hz) and non conduction for 8 sec (400 non conduction cycles @ 50Hz).

BF - variable cycle time (GTT)

This mode controls power on the load via a series of conduction ON and non conduction OFF cycles. The ratio of the number of ON cycles to OFF cycles is proportional to the power value to be supplied to the load.

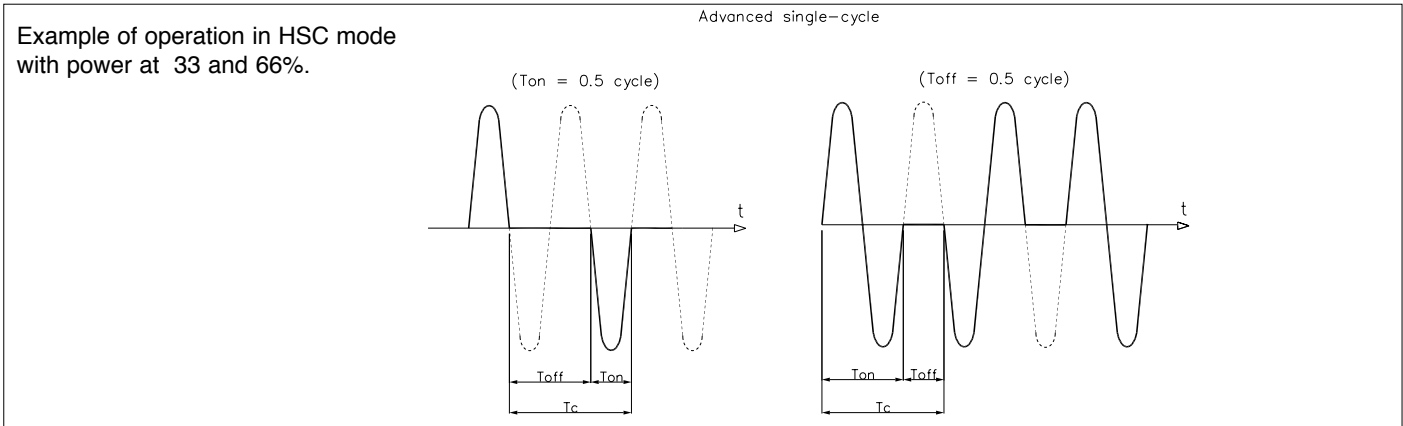
The CT repeat period is kept to a minimum for each power value (whereas in ZC mode the period is always fixed and not optimized).



Example of operation in BF mode with power at 50%. A parameter defines the minimum number of conduction cycles settable (from 1 to 10). In the example, this parameter = 2.

HSC - Half single cycle

This mode corresponds to Burst Firing that includes single conduction cycles and half non-conduction cycles.



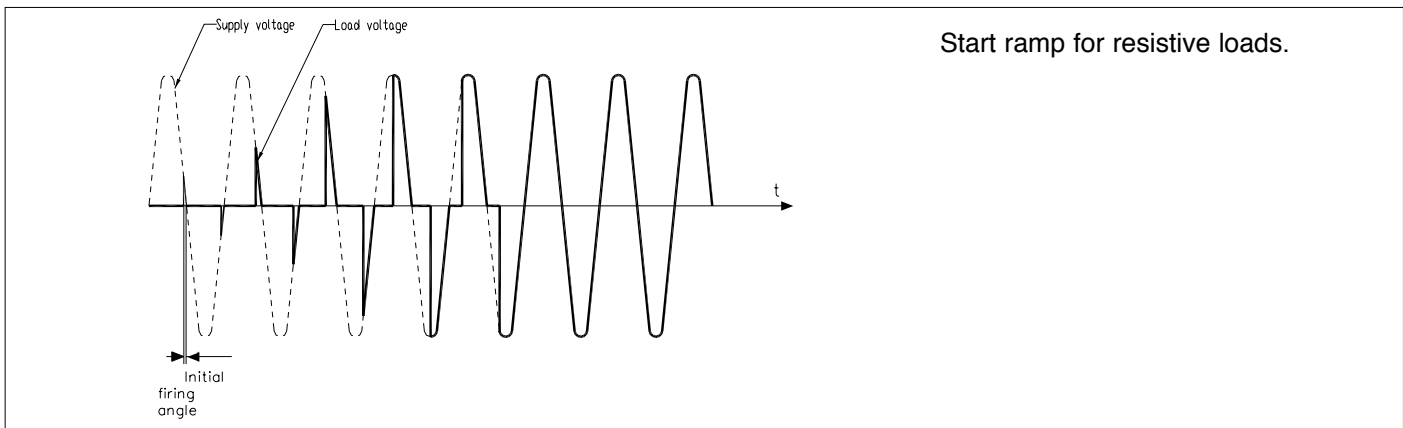
Softstart or Ramp at power-on

This type of start can be enabled in either phase control or pulse train mode.

With phase control, the increment of firing angle θ stops at the corresponding power value to be transferred to the load.

The control of maximum current spike can be enabled during the ramp phase (this is useful in case of short circuit on the load or loads with other temperature coefficients to automatically adjust the start time of the load).

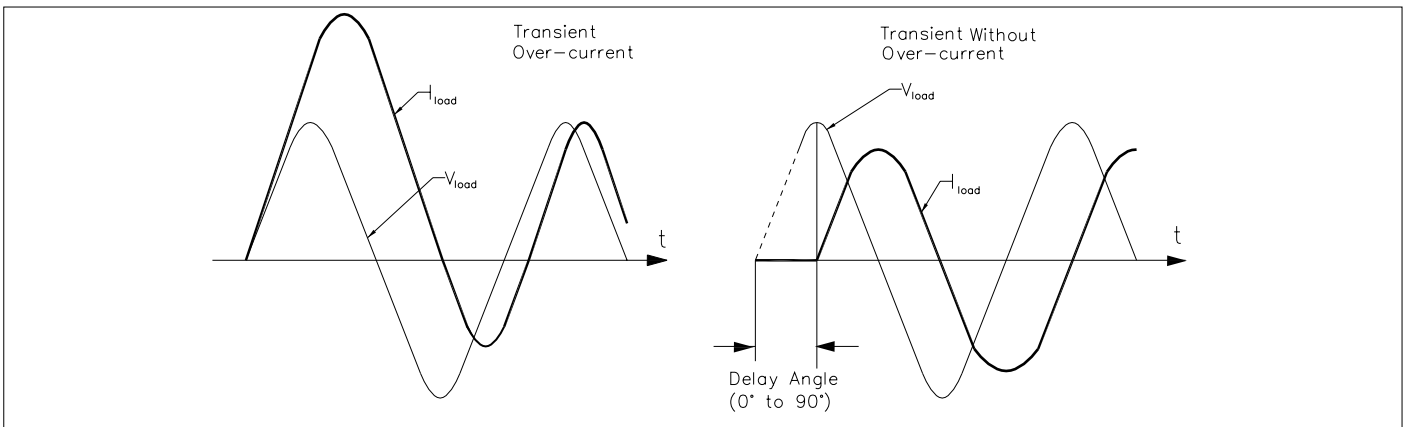
The ramp is automatically re-enabled if the GFX4-IR remains off for a (settable) time.



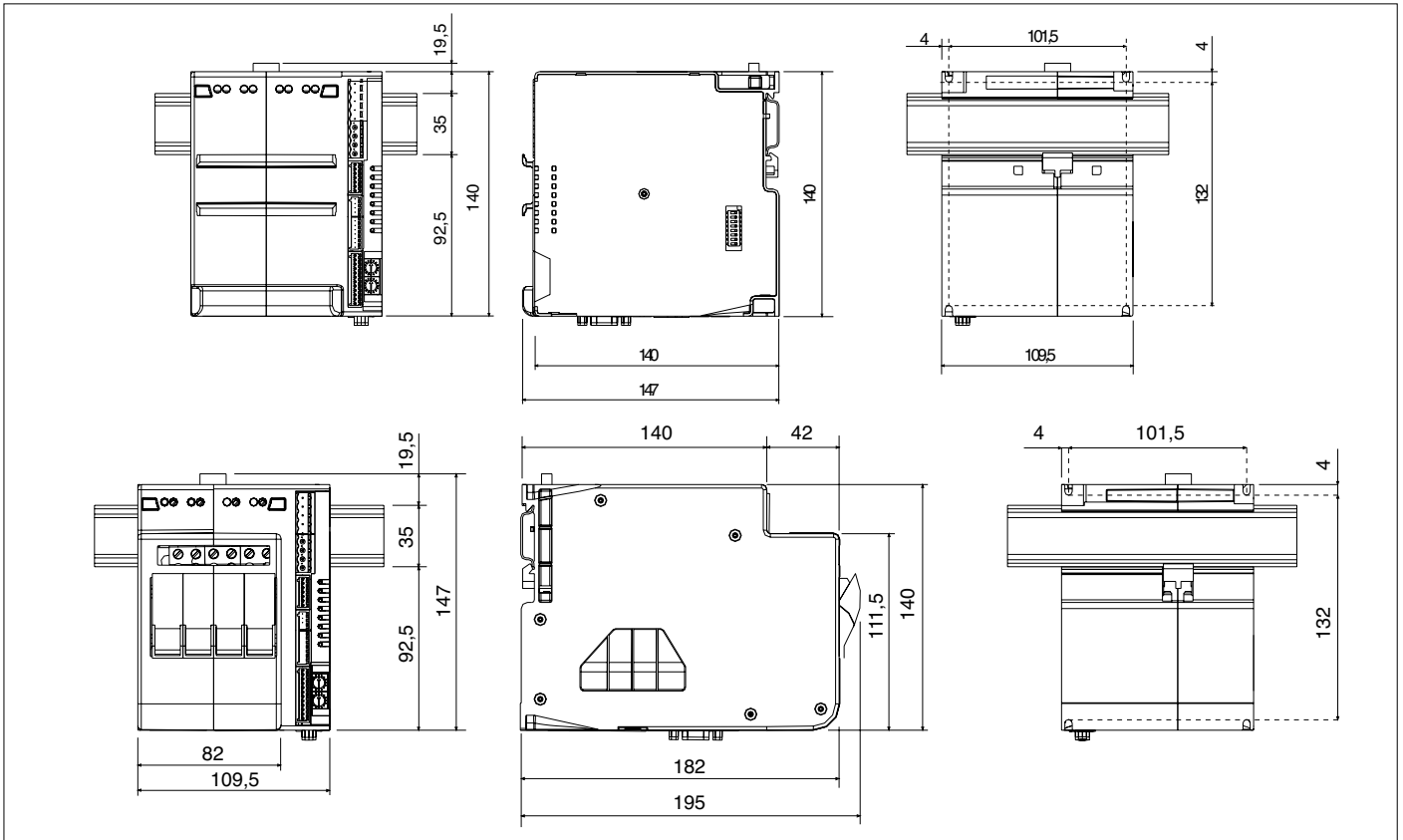
DT - "Delay triggering" of first cycle (only for control modes ZC, BF)

Settable from 0° to 90° .

Useful for inductive loads (transformer primaries) to prevent current spike that could in certain cases trip the high-speed fuses that protect the SCRs.



DIMENSIONS - INSTALLATION



TECHNICAL DATA

INPUTS

IN1...IN4 [process analog inputs]

Connector: J4

Function

default process variable (configurable)

Sampling time: 120msec the four inputs

Accuracy: 0,2% FS \pm 1 steps at 25°C.

(16000 points)

Thermal drift: 0,005% FS/°C

Type

- *Thermocouples ITS90*: J, K, R, S, T, custom (IEC584-1, CEI EN 60584-1, 60584-2).

Internal cold junction compensation with automatic compensation.

Selectable temperature range: °C/°F

- *Thermoresistance*: Pt100 DIN 43760
Max. resistance 20Ω

Selectable temperature range: °C/°F

- *Voltage*: range 0/12...60mV, Ri > 1MΩ
0/0,2...1V, Ri > 1MΩ
custom 60mV at 32 sections
- *Current*: range 0/4...20mA, Ri = 50Ω
custom 20mA at 32 sections

IN5...IN8 [auxiliary analogue inputs]

Connector: J3

Function

default analog inputs reading

Sampling time: 480msec per TC, voltage

Accuracy: 1% FS \pm 1 steps at 25°C.

Type

- *Thermocouple ITS90*: J, K, R, S, T, custom (IEC584-1, CEI EN 60584-1, 60584-2).

Internal cold junction compensation with automatic compensation.

- *Voltage*: range 0/12...60mV, Ri > 1MΩ

Measurement of line Voltage and Current

- RMS current measurement function
Load current read; minimum measurable current: 2A (30kW model), 4A (60kW model), 6A (80kW model)
- Accuracy of RMS current measurement
2% f.s. at room temperature of 25°C in ZC and BF firing modes; 3% f.s. in PA mode with phase angle >90°, 10% f.s. with phase angle <90°
- RMS voltage measurement function
Line voltage read; (acquisition of voltage values is valid for voltage in range 90...530VAC)
- Accuracy of RMS voltage measurement
1% f.s. with neutral connected; 3% f.s. without neutral.
- Current and voltage sampling time
0.25 ms

D11, D12 [digital inputs]

Connector: J2

Function

default not enable (configurable)

Type

PNP, 24Vdc, 8mA (isol. 3500V)

OUTPUTS

OUT 1...4 [heating control]

outputs connected to solid state relay

Function

default heating control (configurable)

OUT 5...8 [cooling control]

Connector: J1

Function

default cooling control (configurable)

Type

- *Relay*: NO, max 3A, 250V/30Vdc, cosφ = 1 resistive load
- *Logic*: 24Vdc, 35mA
- *Continuous* - voltage: 0/2...10V, \pm 10V, max 25mA short circuit protection
- current: 0/4...20mA, 500Ω max
- insulation: 1500V
- *Triac*: 230V/4Amp AC5 (0,8A for four) (1,6A for two)

OUT 9...10 [alarms]

Connector: J1a/J1

Function

default alarms (configurable)

Type

Relay: NO, max 5A, /30Vdc, cosφ = 1

LEDs

RNRUN state of the CPU
ER.....error
DI1DI1 digital input state
DI2DI2 digital input state
O1Out.1 main input state
O2Out.2 main input state
O3Out.3 main input state
O4Out.4 main input state

COMMUNICATION PORTS

PORT 1 [local bus]

Connectors: S1/S2/S3

Function

local bus

Protocol

Modbus RTU

Baud Rate

115Kbps (default)
setting 1200...115Kbps

Node address

setting by double rotative selector

Connectors S1 / S2

2xRJ10 pins for flat cable 4-4, RS485 2
wires insul. 1500V

Connectors S3

10 pins for flat cable

PORT 2 [fieldbus]

Connectors: S4 / S5

Function

external fieldbus

Protocol

Modbus RTU _____ 115Kbps
CANopen/Euromap 66 ___ 10K...1Mbps
Profibus DP _____ 9,6...12Mbps
DeviceNet _____
125K..500Kbps
Ethernet IP/Modbus TCP 10/100Mbps
EtherCAT _____ 100Mbps
ProfiNET _____ 100Mbps

See accessories

MICROSWITCHES

8 dip switches are available to select
wiring mode and different functionalities.

POWER

Load type

AC51 resistive or low-inductance loads
AC55b short-wave infrared lamp (SWIR)
AC56a transformers, resistive loads with
high temperature coefficient

Switch-on modes

ZC Zero crossing constant cycle
time (1-200sec)
BF Burst Firing variable cycle time
(GTT) minimum or optimized
HSC Half Single Cycle corresponds to
Burst Firing that manages
Semi-cycles of on and off.
Useful to reduce flickering with
short-wave infrared loads
PA Phase Angle

SSR [integrated power element]

Rated voltage: 480Vac

Work voltage range: 90...530Vac

Non-repetitive voltage: 1200Vp

Rated frequency: 50/60Hz self-adjusting

Rated current AC51 for zone

GFX4 30KW: 16A

GFX4 60KW: 32A

GFX4 80KW: 40A (single channel 57A)

Non-repetitive overcurrent [t=20msec]

GFX4 30KW: 400A

GFX4 60KW: 600A

GFX4 80KW: 1150A

I²t per fusione [t=1...10msec]

GFX4 30KW: 645A²s

GFX4 60KW: 1010A²s

GFX4 80KW: 6600A²s

Dv/dt critical with deactivated output:

1000V/μsec

Rated insulation voltage In/Out: 4000V

GENERAL FEATURES

Power supply: 24Vdc ±25%, max 8VA

Protection class: IP20

Working temperature range: 0...50°C

(see dissipation curves)

Storage temperature range: -20...+70°C

Relative humidity: 20...85% UR

non-condensing

Installation: DIN EN50022 rail or

panel by screw

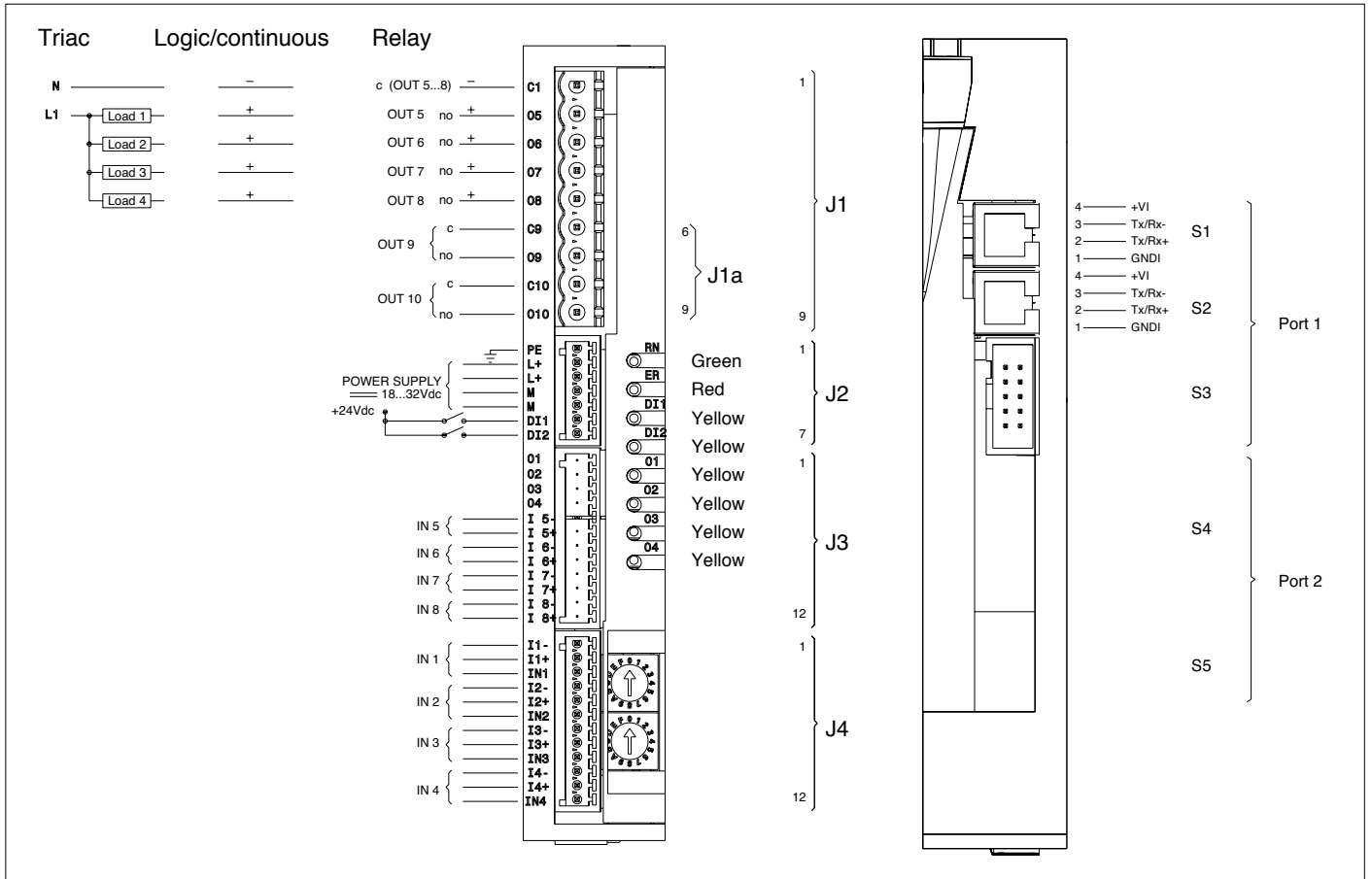
Dimensions: see dimensions and
installation

Weight:

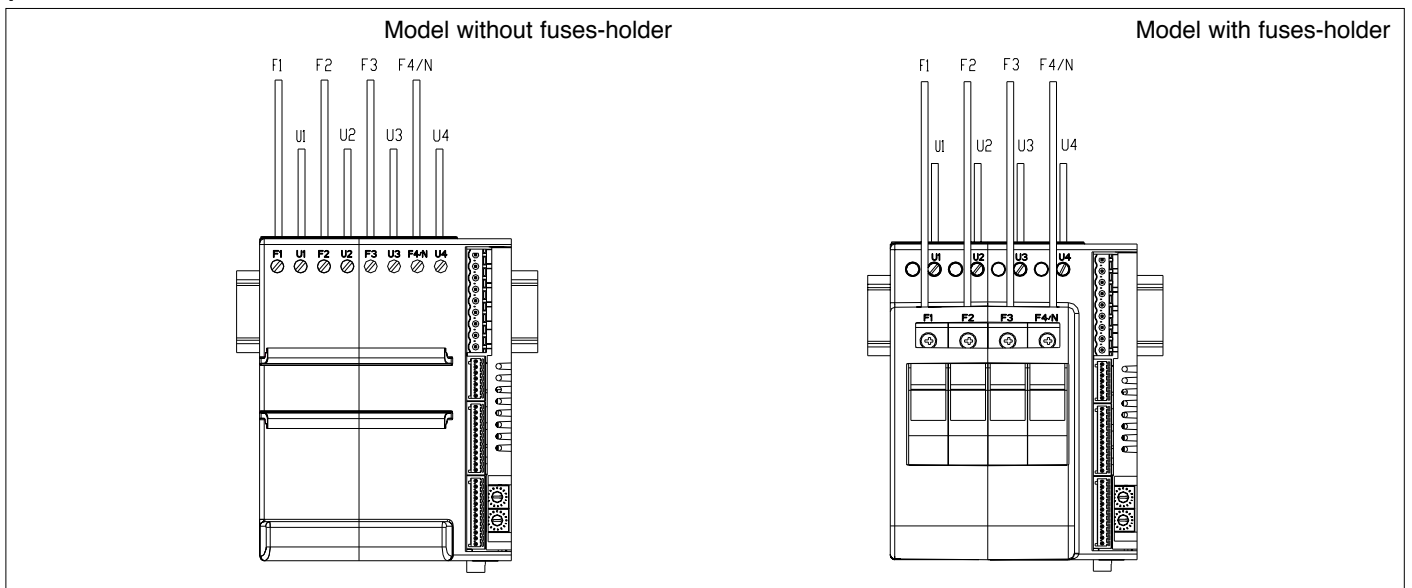
models 30/60/80: 1200g.

models 30/60 with fusesolder:1600g.

ELECTRICAL CONNECTIONS



power



Model	30kW		60kW		80kW	
max current	16A		32A (30A)*		57A (40A)*	
rigid	0,2 - 6mm ²	24-10AWG	0,2 - 6mm ²	24-10AWG	0,5 - 16mm ²	20-6AWG
flexible	0,2 - 4mm ²	24-10AWG	0,2 - 4mm ²	24-10AWG	0,5 - 10mm ²	20-7AWG
	0,25 - 4mm ²	23-10AWG	0,25 - 4mm ²	23-10AWG	0,5 - 10mm ²	20-7AWG
	0,25 - 4mm ²	23-10AWG	0,25 - 4mm ²	23-10AWG	0,5 - 10mm ²	20-7AWG
	0,5 - 0,6Nm		0,5 - 0,6Nm		1,2 - 1,5Nm	

* UL certification

ORDER CODE

Model GFX4	Current (Amp)		Voltage (Vac)			Power (kW)		
	max for channel		range	nominal	working	total contemporary	single channel	max for single channel
30 (4x16A)	16		24...530	480	110	(4x16x110) 7	(16x110) 1,7	(1x16x110) 1,7
					230	(4x16x230) 14,7	(16x230) 3,6	(1x16x230) 3,6
					400	(4x16x400) 25,6	(16x400) 6,4	(16x400) 6,4
					480	(4x16x480) 30,7	(16x480) 7,6	(1x16x480) 7,6
60 (4x32A) (4x30A)*	32 (30)*		24...530	480	110	(4x32x110) 14	(32x110) 3,5	(32x110) 3,5
					230	(4x32x230) 29,4	(32x230) 7,3	(1x32x230) 7,3
					400	(4x32x400) 51,2	(32x400) 12,8	(1x32x400) 12,8
					480	(4x32x480) 61,4	(32x480) 15,3	(1x32x480) 15,3
80 (4x40A)	40*	57	24...530	480	110	(4x40x110) 17,6	(40x110) 4,4	(1x57x110) 62,7
					230	(4x40x230) 36,8	(40x230) 9,2	(1x57x230) 13,1
					400	(4x40x400) 64	(40x400) 16	(1x57x400) 22,8
					480	(4x40x480) 76,8	(40x480) 19,2	(1x57x480) 27,3

* UL Certification

GFX4-IR

NOMINAL POWER	
30KW	30
60KW	60
80KW	80

AUXILIARY OUTPUTS	
Absent	0
Relay	R
Logic	D
Continuous	C
Triac	T

FIELDBUS - Port 2	
0	Absent
M	Modbus RTU
P	Profibus DP
C	CANopen
C1	Euromap 66
D	DeviceNet
E	Ethernet Modbus TCP
E1	Ethernet IP
E2	EtherCAT
E4	ProfiNET

FUSES	
0	Absent
F	Fuses-holder + Fuses extrarapid (*)

(*) Available only for 30, 60kW power.

AUXILIARY INPUTS	
2	Absent
4	4 Linear inputs (**)

(**) Option NOT available with E1 or E2 fieldbus

GEFRAN spa reserves the right to make aesthetic or functional changes at any time and without notice.

UL

Conformity C/UL/US File no. E243386

CE

The instrument conforms to the European Directives 2004/108/CE and 2006/95/CE with reference to the generic standards:
- EN 60947-4-3 (Product) - EN 61010-1 (safety)

GEFRAN

GEFRAN spa via Sebina, 74 - 25050 Provaglio d'Iseo (BS)
Tel. 03098881 - fax 0309839063- Internet: <http://www.gefran.com>

DTS_GFX4-IR_04-2012_ENG