

MECHANICAL / ELECTRICAL DATA

Model		25	50	75	100	125	150	175
Useful electrical stroke (C.E.U.) +3/-0	mm	25	50	75	100	125	150	175
Theoretical electrical stroke (C.E.T.) ±1	mm	C.E.U. +1						
Resistance (C.E.T.)	kΩ	1	5					
Independent linearity (within C.E.U.)	± %	0.2	0.1	0.1	0.07	0.05		
Dissipation at 40° (0W at 120°C)	W	0.6	1.2	1.8	2.5	3	3.6	4.2
Maximum applicable voltage	V	25	60					
Mechanical stroke (C.M.)	mm	C.E.U. + 5						
Case length (A)	mm	C.E.U. + 38						
Total length (B)	mm	107	157	207	257	307	357	407

ELECTRICAL CONNECTIONS

Connector output

Cable output

3 (+) Blue

2 Yellow

1 (-) Brown

C.E.U.

C.E.T.

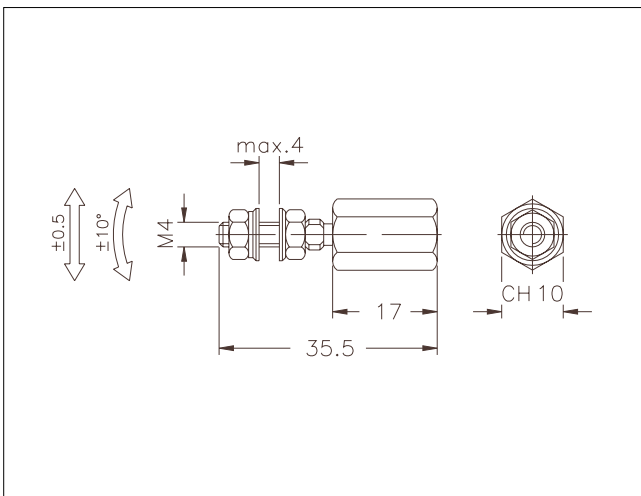
C.M.

Connection Side

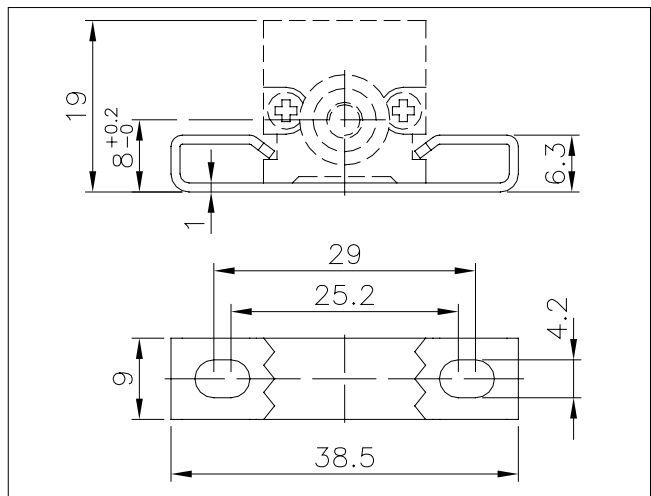
INSTALLATION INSTRUCTIONS

- Respect the indicated electrical connections (DO NOT use the transducer as a variable resistance)
- When calibrating the transducer, be careful to set the stroke so that the output does not drop below 1% or rise beyond 99% of the supply voltage.

COUPLING JOINT



OPTIONAL FIXING KIT PKIT006



ORDER CODE

Displacement transducer **PY1**

3 pole PVC cable output 3x0.25 1m.	F
5 pole connector output DIN 43322	C

Model

S **M**

Cable length (in meters)

This part of the code only applies to the model with cable output

No certificate attached	0
Linearity curve to be attached	L
Standard mounting brackets (PKIT005)	X
Optional mounting brackets (PKIT006)	S
Color of plastic heads (green)	0

0 0 0 X 0 0 0 0 0 0

Ex.: **PY1 - C - 100**

Displacement transducer model PY1, 5-pole connector output, useful electrical stroke (C.E.U.) 100mm.

ACCESSORIES

STANDARD ACCESSORIES

Fixing kit: 4 brackets, M4x10 screws, grower	PKIT005
Fixing kit: 2 "wraparound" brackets (0000X000S00 configurator option)	PKIT006
Coupling joint	PKIT020

OPTIONAL ACCESSORIES

5-pin axial female PCB connector DIN43322 IP40 clamp for wire $\varnothing 4$ - $\varnothing 6$ mm	CON011
5-pin axial female PCB connector DIN43322 IP65 clamp PG7 for wire $\varnothing 4$ - $\varnothing 6$ mm	CON012
5-pin 90° radial female PCB connector DIN43322 IP40 clamp for wire $\varnothing 4$ - $\varnothing 6$ mm	CON013

GEFRAN spa reserves the right to make any kind of design or functional modification at any moment without prior notice