

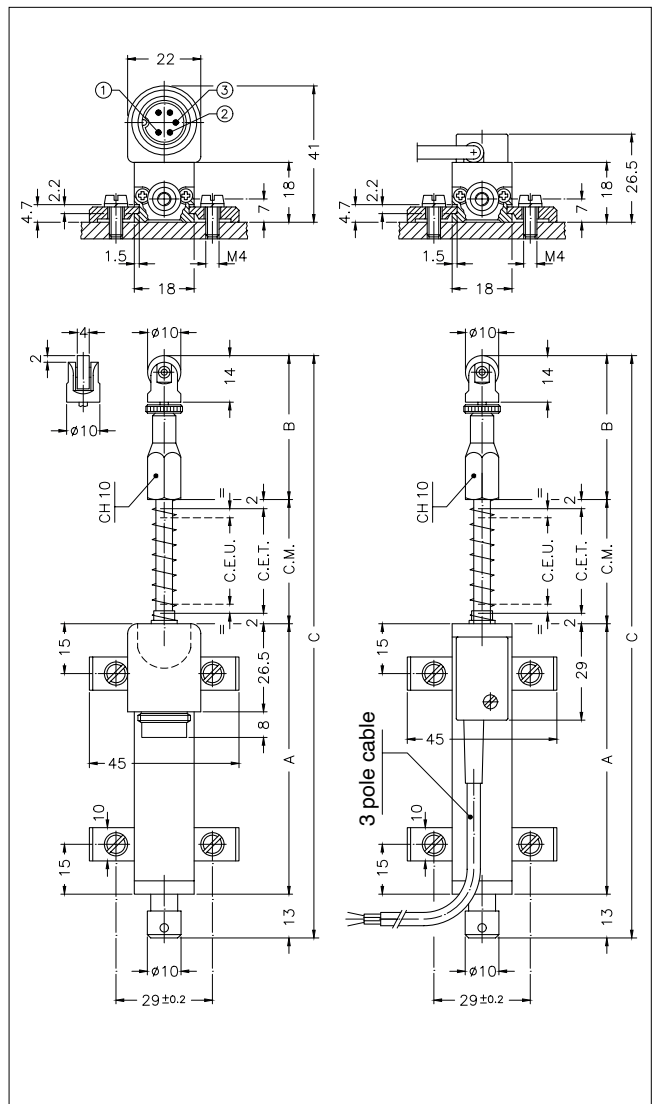
#### Principal characteristics

- The side connection creates a through-rod structure with double rod support, guaranteeing greater overall strength of the transducer.
- The return spring automatically returns the rod to zero position, making the transducer suitable for comparator applications.
- The tip with roller bearing is suitable for applications where the object to be measured may be subject to shifts transverse to the transducer axle (shaft is prevented from rotating).
- Ideal for checking the flatness or thickness of panels of various materials. Can also be used for valves or mechanical parts when the rod cannot be attached to the moving object.

#### TECHNICAL DATA

Useful electrical stroke (C.E.U.)	from 10 to 100 mm (for intermediate strokes see table "Electrical / Mechanical Data")
Resolution	Infinite
Independent linearity (within C.E.U.)	see table
Displacement speed	≤ 10 m/s
Displacement force	≤ 4 N
Protection level	IP40
Life	>25x10 <sup>6</sup> m strokes, or 100x10 <sup>6</sup> operations, whichever is less (within C.E.U.)
Vibrations	5...2000Hz, Amax = 0,75 mm amax. = 20 g
Shock	50 g, 11ms.
Tolerance on resistance	± 20%
Recommended cursor current	< 0,1 μA
Maximum cursor current	10mA
Maximum applicable voltage	see table
Electrical isolation	>100MΩ a 500V~, 1bar, 2s
Dielectric strength	< 100 μA a 500V~, 50Hz, 2s, 1bar
Dissipation at 40°C (0W at 120°C)	see table
Actual Temperature Coefficient of the output voltage	< 1,5ppm/°C
Working temperature	-30...+100°C
Storage temperature	-50...+120°C
Case material	Anodised aluminium Nylon 66 G 25
Control rod material	Stainless steel AISI 303
Fixing	Brackets with variable longitudinal axis

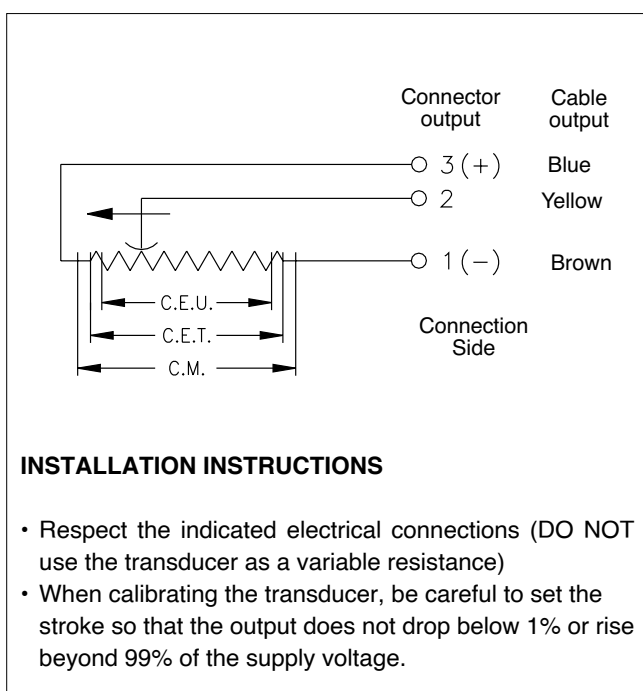
#### MECHANICAL DIMENSIONS



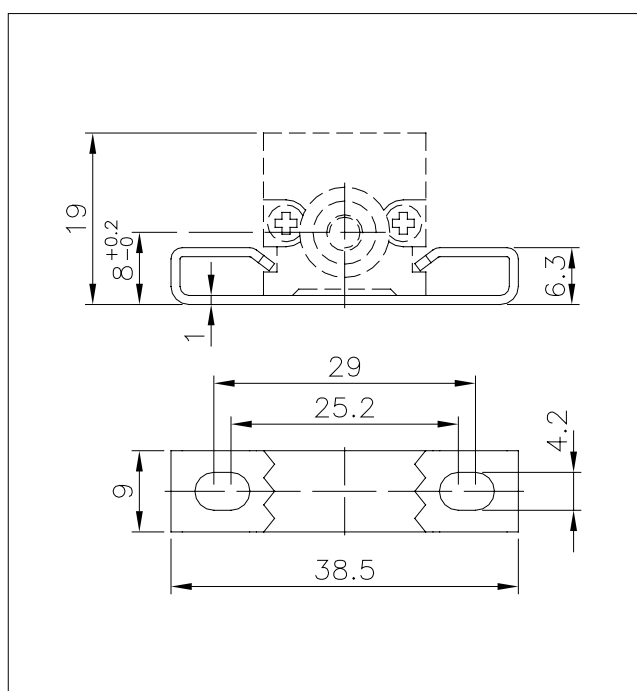
## MECHANICAL / ELECTRICAL DATA

Model		10	25	50	75	100
Useful electrical stroke (C.E.U.) +1/-0	mm	10	25	50	76	101
Theoretical electrical stroke (C.E.T.) ±1	mm	C.E.U. +1				
Resistance (C.E.T.)	kΩ	1		5		
Independent linearity (within C.E.U.)	± %	0.3	0.2	0.07	0.1	
Dissipation at 40° (0W at 120°C)	W	0.2	0.6	1.2	1.8	2.4
Maximum applicable voltage	V	14	25	60		
Mechanical stroke (C.M.)	mm	C.E.U. + 5				
Case length (A)	mm	C.E.U. + 38				
Tip length (B)	mm	43		51		
Total length (C)	mm	119	149	207	262	318

## ELECTRICAL CONNECTIONS



## OPTIONAL FIXING KIT PKIT006



## ORDER CODE

Displacement transducer <b>PY3</b>	<input type="checkbox"/> <b>S</b> <input type="checkbox"/> <b>M</b>	<input type="checkbox"/> <input type="checkbox"/> <input type="checkbox"/> <input type="checkbox"/> <input checked="" type="checkbox"/> <input type="checkbox"/> <input type="checkbox"/> <input type="checkbox"/> <input type="checkbox"/> <input type="checkbox"/> <input type="checkbox"/> <input type="checkbox"/>									
3 pole PVC cable output 3x0.25 1m	<input type="checkbox"/> <b>F</b>	Cable length (in metres)	No certificate attached	<input type="checkbox"/> <b>0</b>	This part of the code only applies to the model with cable output	Linearity curve to be attached	<input type="checkbox"/> <b>L</b>	Standard mounting brackets (PKIT005)	<input checked="" type="checkbox"/> <b>X</b>	Optional mounting brackets (PKIT006)	<input type="checkbox"/> <b>S</b>
5 pole connector output DIN 43322	<input type="checkbox"/> <b>C</b>		Color of plastic heads (green)	<input type="checkbox"/> <b>0</b>							
<b>Model</b>											

Ex.: **PY3 - C - 50**  
 Displacement transducer model PY3, 5-pole connector output, useful electrical stroke (C.E.U.) 50mm.

## ACCESSORIES

### STANDARD ACCESSORIES

Fixing kit: 4 brackets, M4x10 screws, washer	<b>PKIT005</b>
Fixing kit: 2 "wraparound" brackets (0000X000S00 configurator option)	<b>PKIT006</b>
Bearing tip	<b>PTAS001</b>

### OPTIONAL ACCESSORIES

5-pin axial female PCB connector DIN43322 IP40 clamp for wire $\varnothing 4 - \varnothing 6$ mm	<b>CON011</b>
5-pin axial female PCB connector DIN43322 IP65 clamp PG7 for wire $\varnothing 4 - \varnothing 6$ mm	<b>CON012</b>
5-pin 90° radial female PCB connector DIN43322 IP40 clamp for wire $\varnothing 4 - \varnothing 6$ mm	<b>CON013</b>

**GEFRAN spa** reserves the right to make any kind of design or functional modification at any moment without prior notice